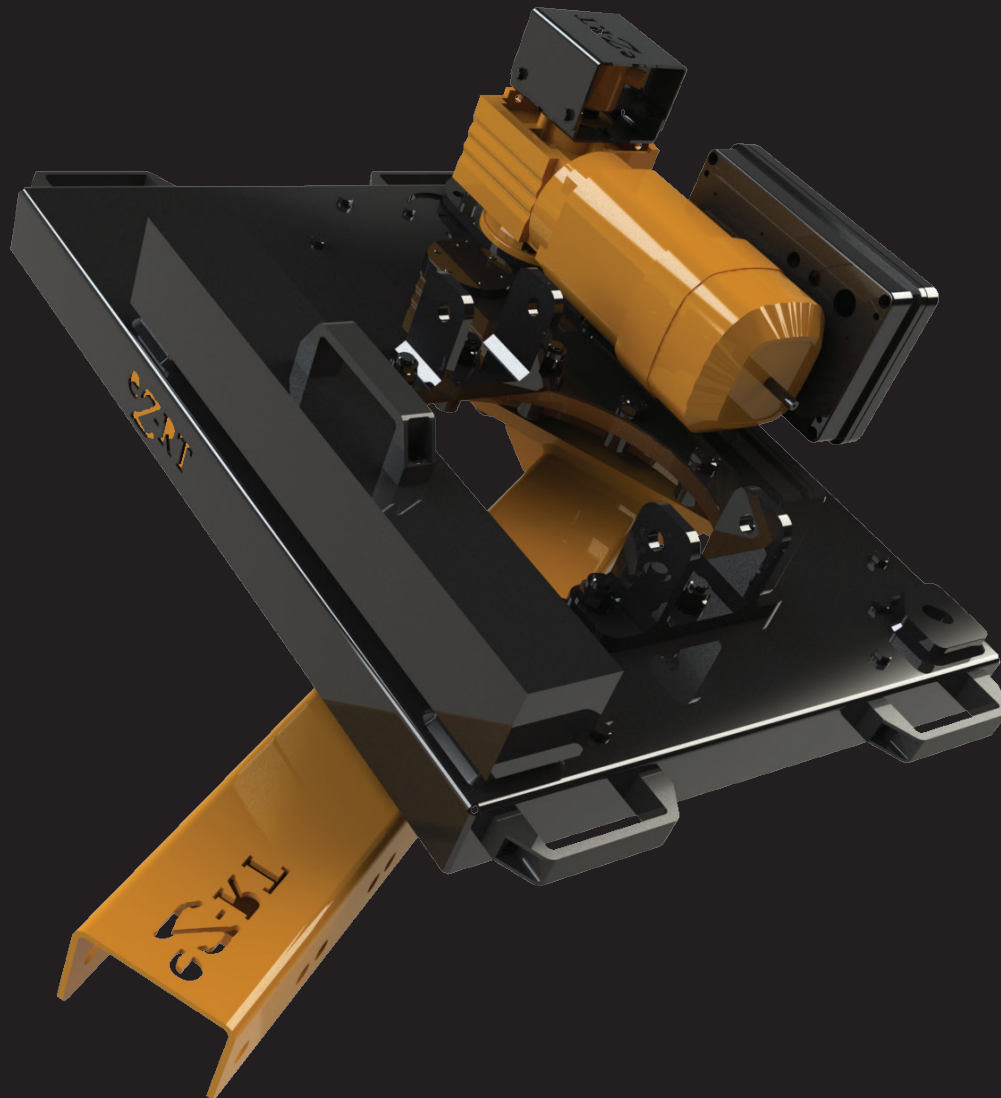


ezROTATOR

Want to go for a spin?



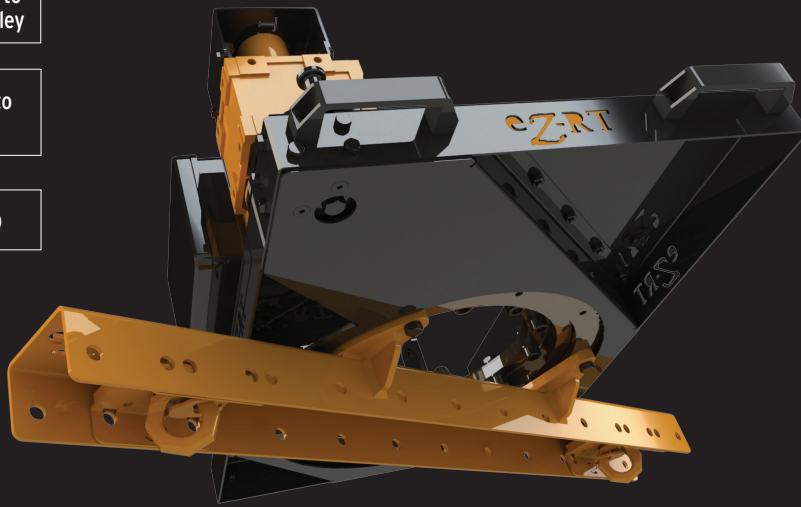
ez-Hoist

AUTOMATION MADE EASY

Quick and easy attachment to the eZ-Trolley or directly to 20.5" truss sans the eZ-Trolley

Can disengage the motor to allow for manual rotation

SWL of 1000kg (2x500kg)



Massive slew bearing to handle heavy loads

Ergonomic handles for easy carrying and installation

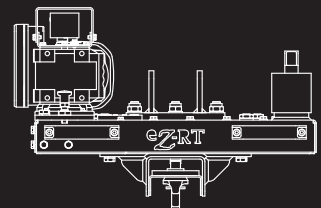
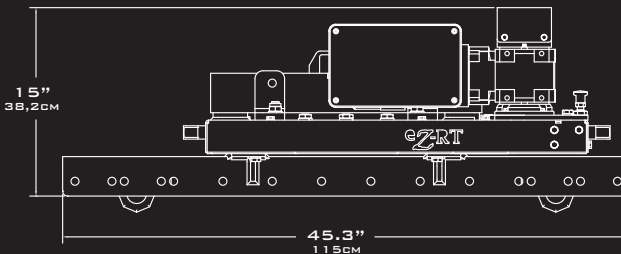
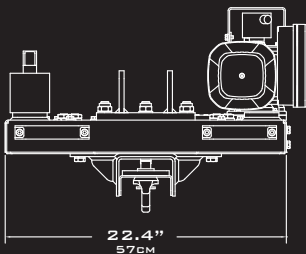
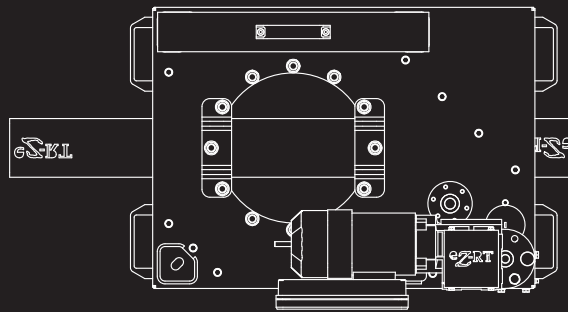
Versatile attachment points to quickly hang anything you want

ZFX orange available as a custom option, stock product is black of course.



eZ Hoist eZROTATOR

	STANDARD	OPTIONAL
Voltage	208VAC 60hz	380-420VAC, 480VAC 50/60hz
Capacity	2200lbs (1000kg)	-----
Rotational Speed	6 RPM	Any realistic speed
Brake Coil	200VAC	24VDC
Motor Encoder	TTL Incremental	Sin/Cos
Absolute Encoder	SSI	Hiperface, EnDat
Weight when hanging from eZ-Trolley	293lbs (133kg)	-----
Weight when hanging from truss	238lbs (108kg)	



WORLD HEADQUARTERS
611 Industry Road | Louisville, KY 40208
tel: +1.502.637.2500

EZ-AXIS.COM

EUROPEAN OPERATIONS
Veldzigt 3 3454 PW I De Meern, the Netherlands
tel: +31(0)30-2428280